

# ELECTRIC COOKER 4 PLATES + OVEN

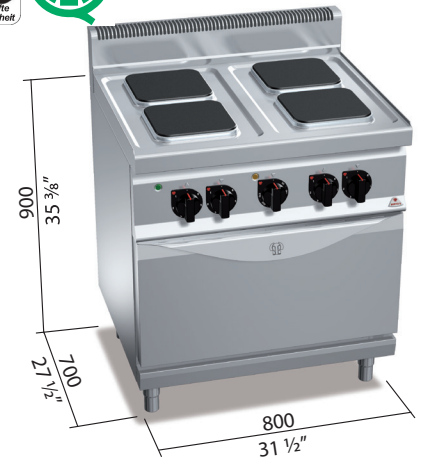
Mod. E7PQ4+FE1

Cod. 18724300



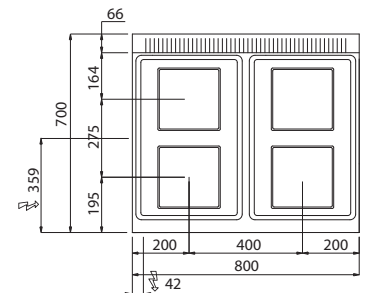
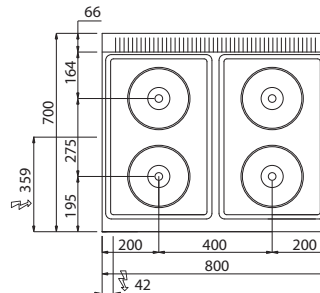
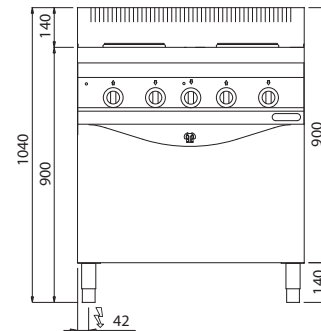
MACROS700

	n.	4	
	Ø mm	220	
	kW	2,6	
	n.	4	
	mm	220x220	
	kW	2,6	
	GN	1/1	
	kW	3	
	TOT.	mm	530 x 325 x 3 pos.
		380 - 415 V3N~	
	TOT.	kW	13,4



ACCESSORIES CG7 - MCD 80 - PG2T700 - PG2Q700 - KRF - GRC 1/1GN - GRC 60/40.  
OPTIONAL V3/BVOLTQ20 - 240 3~

E	electric connection	380 - 415 V3N~	kW 13,4
---	---------------------	----------------	---------



## TECHNICAL AND FUNCTIONAL FEATURES

Worktop and front panels of AISI 304 stainless steel. One piece pressed waterproof worktop. Cast iron plates with safety thermostat and 6-position selector that activates 6 different concentric power zones. Voltage light and power light. Electric convection oven completely made of stainless steel with 3-level supports for grid/pan 1/1GN. Power indicator and temperature light. Pressed door and counter door of AISI 304 STAINLESS STEEL. 20/10 AISI 304 steel heat-resistant door handle. Adjustable feet. Standard: 1 anti-tilt oven shelf.



Nairobi Kitchen Care Ltd  
Allbid House, Main Mombasa Road | P.O.Box 49938, Nairobi, Kenya  
Tel: +254 (20) 2133076 / +254 (0) 725 351 079 - +254 (0) 727 246 209  
info@nkc.co.ke | www.nkc.co.ke